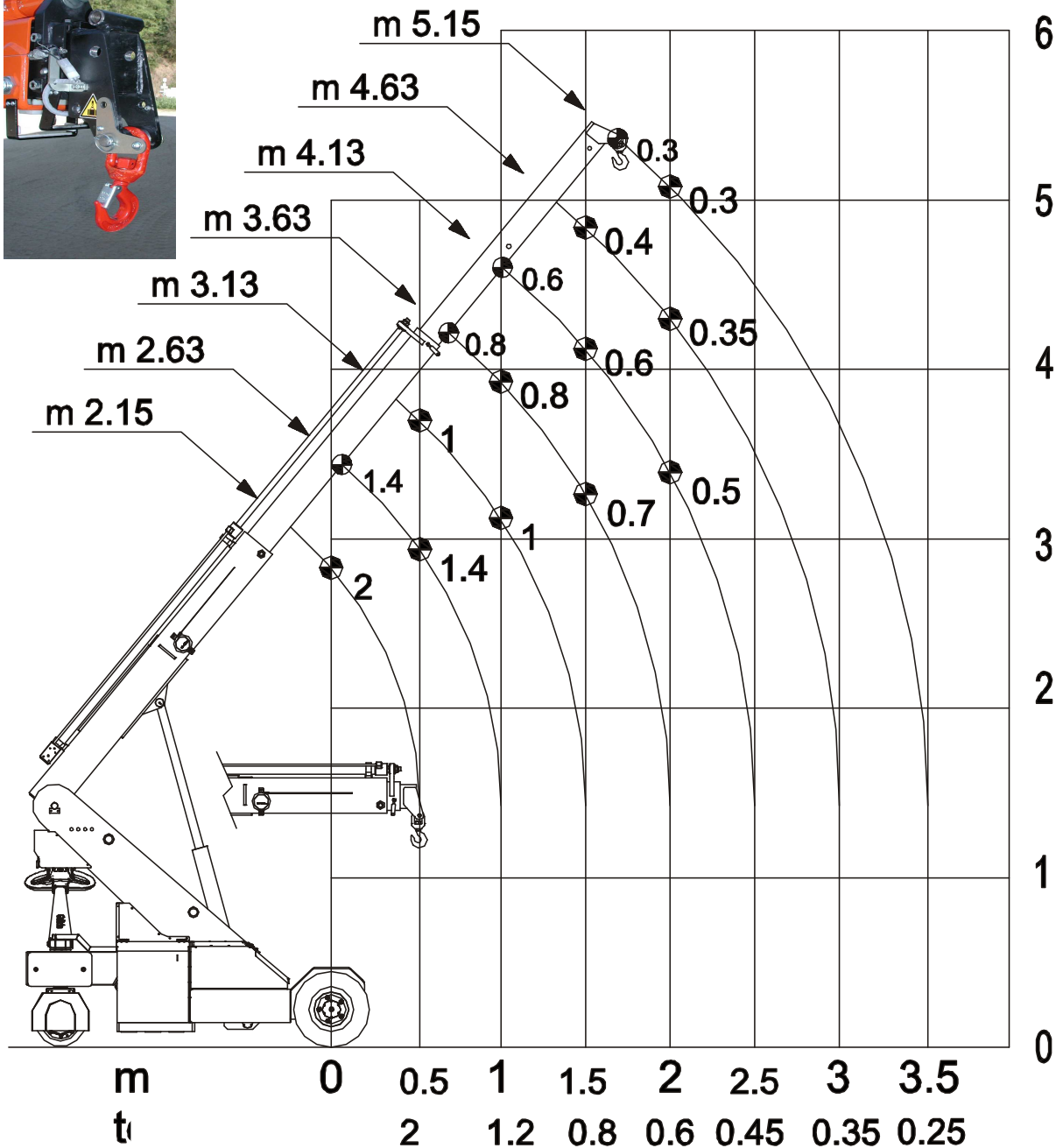




LOADING DIAGRAM G20 - MAIN BOOM MAX 2.000 kg - OPERATING MODE 0

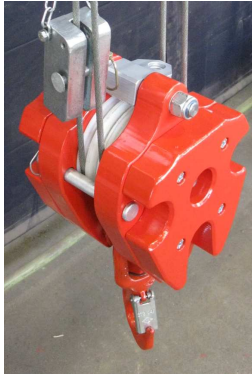




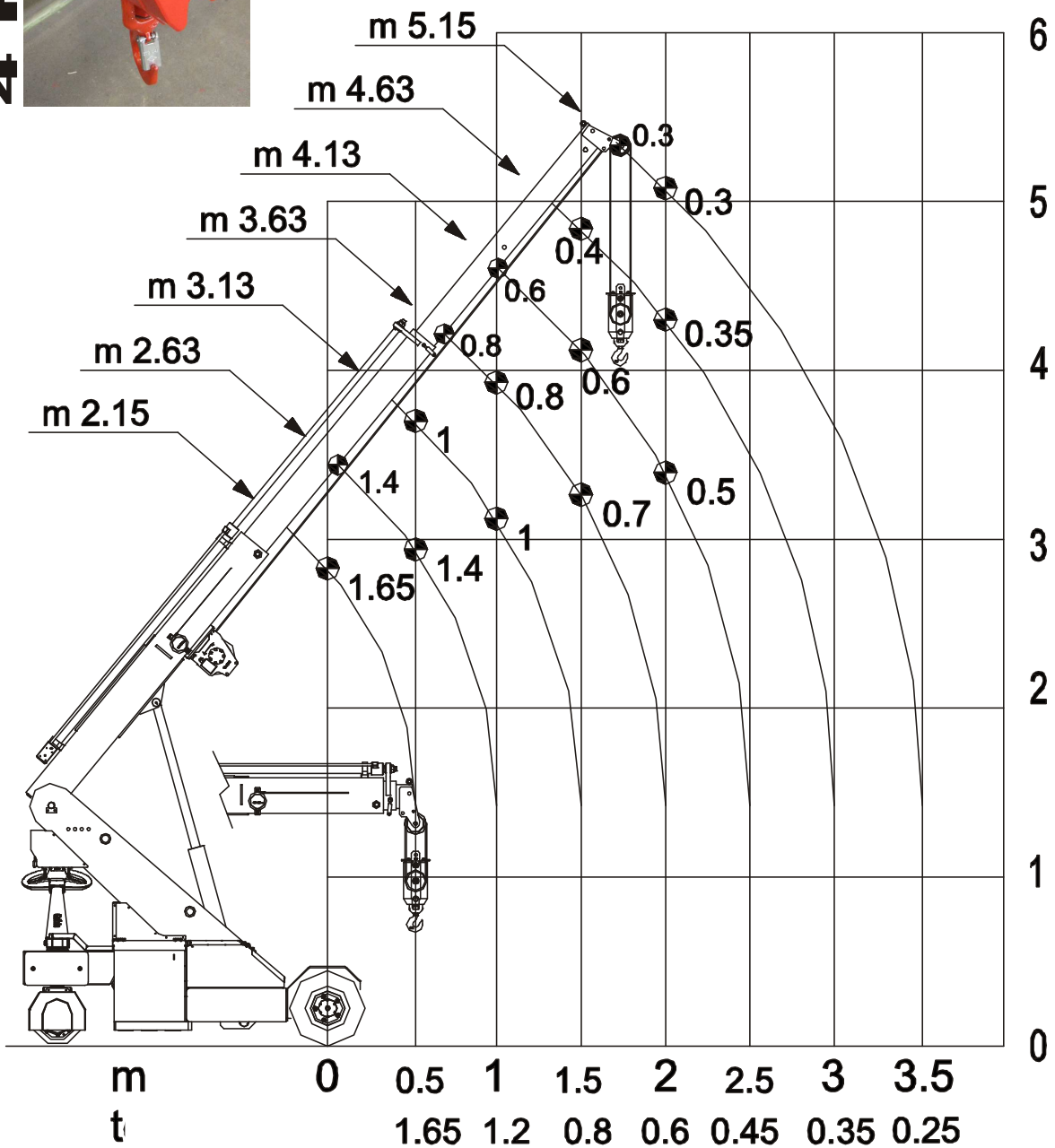
GALIZIA

WWW.GALIZIAGRU.COM

4 FALLS



**LOADING DIAGRAM G20
MAX 1.650 kg
OPERATING MODE 1 - M1**





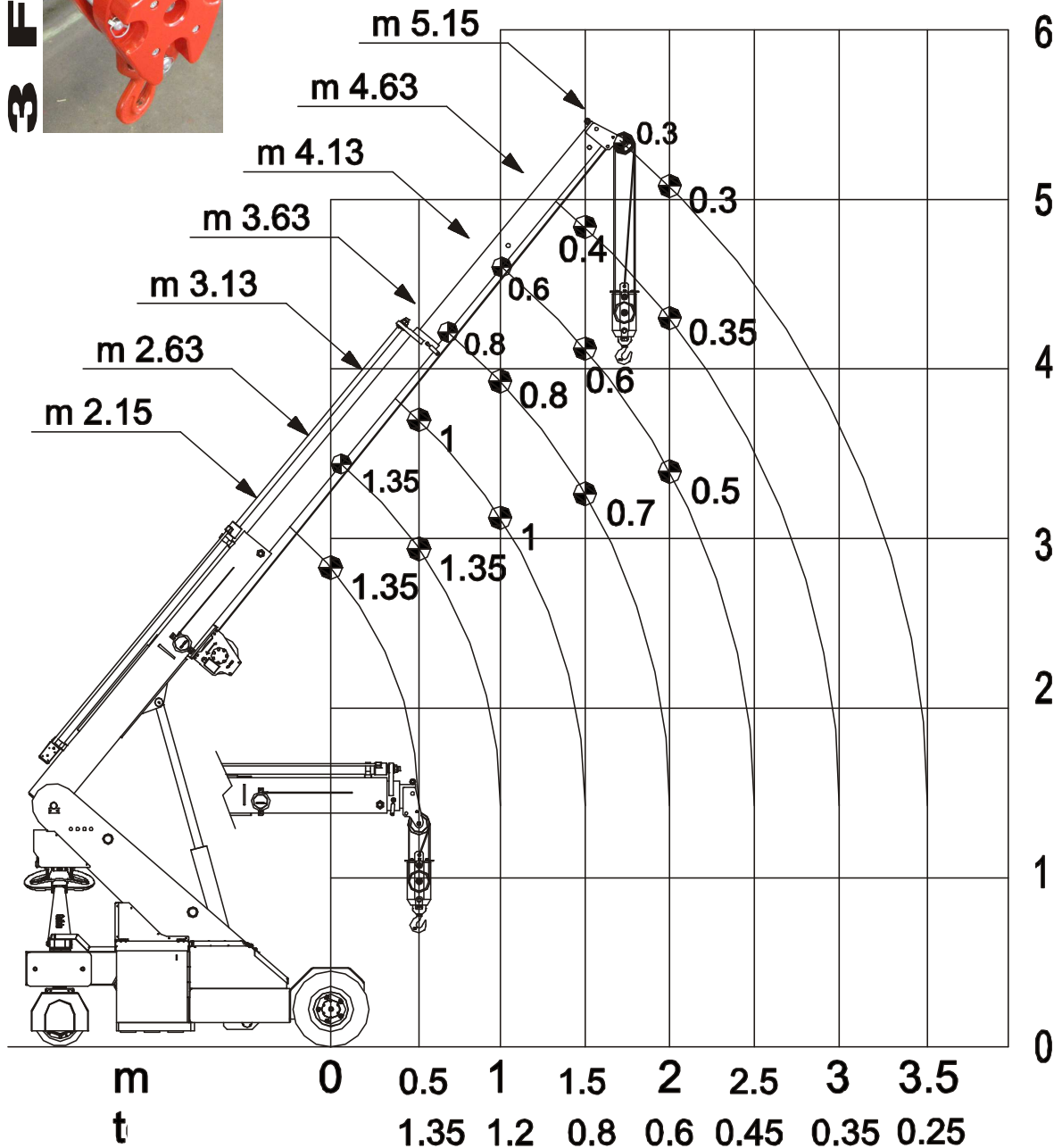
GALIZIA

WWW.GALIZIAGRU.COM

3 FALLS



**LOADING DIAGRAM G20
MAX 1.350 kg
OPERATING MODE 2 - M2**





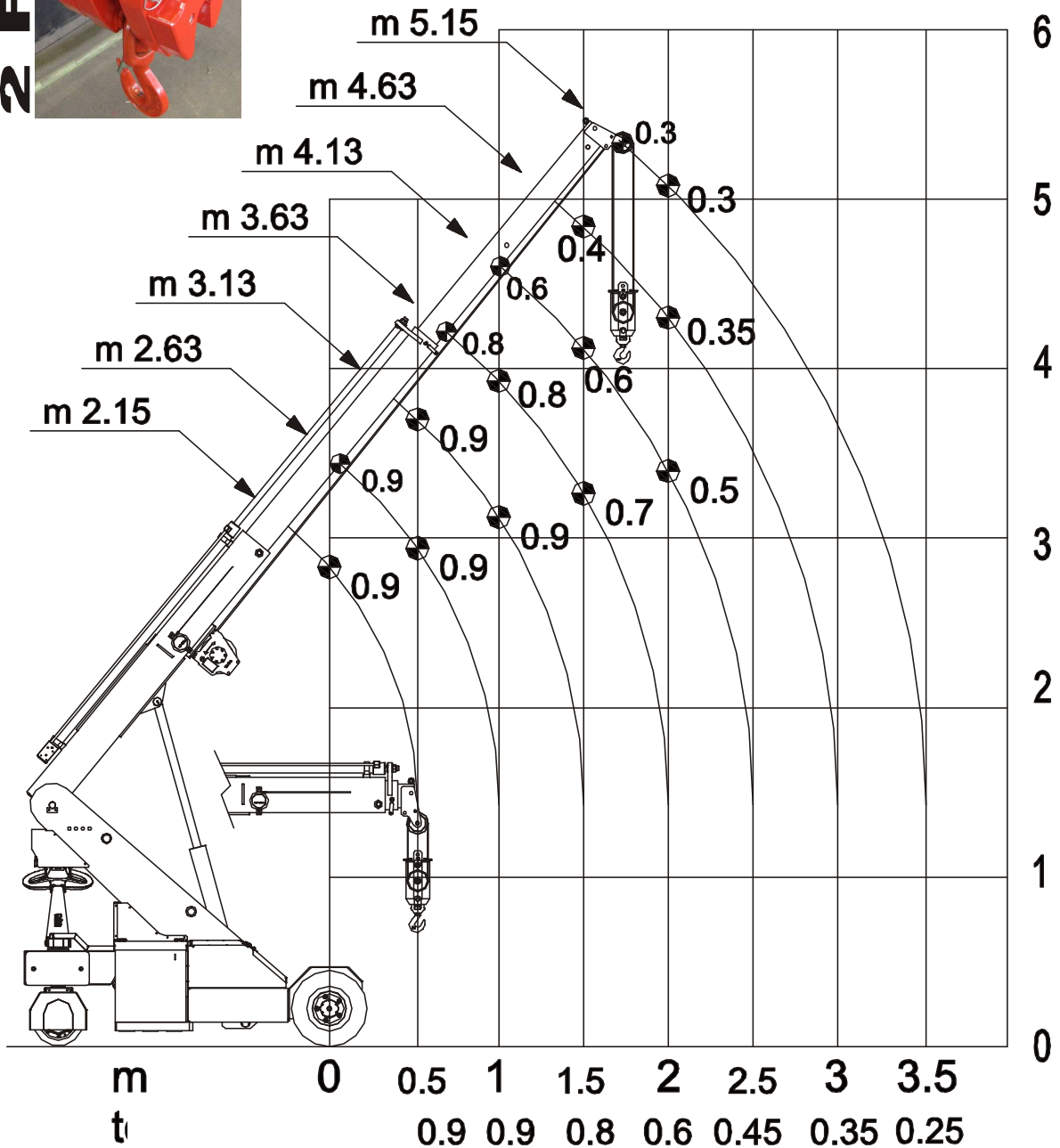
GALIZIA

WWW.GALIZIAGRU.COM

2 FALLS



**LOADING DIAGRAM G20
MAX 900 kg
OPERATING MODE 3 - M3**





GALIZIA

WWW.GALIZIAGRU.COM

FALL



**LOADING DIAGRAM G20
MAX 400 kg
OPERATING MODE 4 - M4**

